



FINAL EXPRESS TERMS  
FOR  
PROPOSED BUILDING STANDARDS  
OF THE  
DIVISION OF THE STATE ARCHITECT [DSA-AC]

REGARDING PROPOSED CHANGES TO  
THE CALIFORNIA BUILDING CODE  
CALIFORNIA CODE OF REGULATIONS, TITLE 24, PART 2

2016 CALIFORNIA BUILDING CODE  
INTERVENING CODE CYCLE

LEGEND FOR EXPRESS TERMS

1. Existing California amendments or code language being modified are in italics when they appear in the model code text: All such language appears in *italics*, modified language is underlined.
2. New California amendments: All such language appears underlined and in italics.
3. Repealed text: All such language appears in ~~strikeout~~.

EXPRESS TERMS

CHAPTER 2  
DEFINITIONS

ITEM 2.01

SECTION 202  
DEFINITIONS

**SIGN [DSA-AC]** An element composed of displayed textual, verbal, symbolic, tactile, and/or pictorial information.

ITEM 2.02

SECTION 202  
DEFINITIONS

**TECHNICALLY INFEASIBLE.** An alteration of a building or a facility, that has little likelihood of being accomplished because the existing structural conditions require the removal or alteration of a load-bearing member that is an essential part of the structural frame, or because other existing physical or site constraints prohibit modification or addition of elements, spaces or features that are in full and strict compliance with the minimum requirements of this code for new construction and which are necessary to provide accessibility. *\* SENT BACK TO PROPOSING AGENCY BY COMMISSION FOR FURTHER STUDY*

CHAPTER 9  
FIRE PROTECTION SYSTEMS

ITEM 9.01



**SECTION 907 FIRE ALARM AND DETECTION SYSTEMS**

**907.4.2 Manual fire alarm boxes. ...**

**907.4.2.2 Height.** The height of the manual fire alarm boxes shall be not less than 42 inches (1067 mm) and not more than 48 inches (1219 mm) measured vertically, from the floor level to the *highest point of the activating handle or lever of the box.* Manual fire alarm boxes shall also comply with Section 41B309.4. 11B-309.

*Exception: [DSA-AC] In existing buildings there is no requirement to retroactively relocate existing manual fire alarm pull boxes to a minimum of 42 inches (1067mm) and a maximum of 48 inches (1219 mm) from the floor level to the activating handle or lever of the box.*

---

**CHAPTER 10  
MEANS OF EGRESS**

---

**ITEM 10.01  
SECTION 1010 DOORS, GATES AND TURNSTILES**

**1010.1 Doors.** Means of egress doors shall meet...

**1010.1.5 Floor elevation.** There shall be a floor or landing on each side of a door. Such floor or landing shall be at the same elevation on each side of the door. Landings shall be level except for exterior landings, which are permitted to have a slope not to exceed 0.25 unit vertical in 12 units horizontal (2-percent slope).

**Exceptions: ...**

6. Doors serving equipment spaces not required to be accessible in accordance with Section 4403.2.9 11B-203.5 and serving an occupant load of five or less shall be permitted to have a landing on one side to be not more than 7 inches (178 mm) above or below the landing on the egress side of the door.

---

**CHAPTER 11B  
ACCESSIBILITY TO PUBLIC BUILDINGS, PUBLIC ACCOMMODATIONS,  
COMMERCIAL BUILDINGS AND PUBLIC HOUSING**

**ITEM 11B.01  
DIVISION 2: SCOPING REQUIREMENTS**

**11B-202.3 Alterations.** Where existing elements or spaces are altered, each altered element or space shall comply with the applicable requirements of *Division 2, including Section 11B-202.4.*

**Exceptions:**

1. *Reserved.*
2. **Technically infeasible.** In alterations, where *the enforcing authority determines* compliance with applicable requirements is technically infeasible, the alteration shall provide equivalent facilitation or comply with the requirements to the maximum extent feasible. *The details of the finding that full compliance with the requirements is technically infeasible shall be recorded and entered into the files of the enforcing agency.*

*\* WITHDRAWN BY AGENCY @ COMMISSION MEETING*

~~WITHDRAWN BY AGENCY @ COMMISSION MEETING~~

~~Note: The phrase "to the maximum extent feasible," as used in this exception, applies to the occasional case where the nature of an existing facility makes it virtually impossible to comply fully with applicable accessibility standards through a planned alteration. In these circumstances, the alteration shall provide the maximum physical accessibility feasible. Any altered features of the facility that can be made accessible shall be made accessible. If providing accessibility in conformance with this section to individuals with certain disabilities (e.g., those who use wheelchairs) would not be feasible, the facility shall be made accessible to persons with other types of disabilities (e.g., those who use crutches, those who have impaired vision or hearing, or those who have other impairments).~~

ITEM 11B.02

DIVISION 2: SCOPING REQUIREMENTS

**11B-202.4 Path of travel requirements in alterations, additions and structural repairs.** When alterations or additions are made to existing buildings or facilities, an accessible path of travel to the specific area of alteration or addition shall be provided. The primary accessible path of travel...

**Exceptions:**

1. ...
2. If the following elements of a path of travel have been constructed or altered in compliance with the accessibility requirements of the immediately preceding edition of the California Building Code it shall not be required to retrofit such elements to reflect the incremental changes in this code solely because of an alteration to an area served by those elements of the path of travel:
  1. A primary entrance to the building or facility,
  2. Toilet and bathing facilities serving the area,
  3. Drinking fountains serving the area,
  4. Public telephones serving the area, and
  5. Signs.



**Note:** The language in this exception which refers to the "immediately preceding edition of the California Building Code," shall permit a reference back to one CBC edition only and is not accumulative to prior editions.

ITEM 11B.03

DIVISION 2: SCOPING REQUIREMENTS

**11B-203.9 Employee workstations.** Employee workstations shall be on an accessible route complying with Division 4. Spaces and elements within employee workstations shall only be required to comply with Sections 11B-207.1, 11B-215.3, 11B-302, 11B-303, 11B-308.1.1, 11B-308.1.2, and 11B-404.2.3 unless exempted by other parts of this code. Common use circulation paths within employee workstations shall comply with Section 11B-206.2.8.

Exception: Receptacles, controls, and switches that are an integral part of workstation furnishings, fixtures, and equipment shall not be required to comply with 11B-308.1.1 and 11B-308.1.2.

---

ITEM 11B.04

DIVISION 2: SCOPING REQUIREMENTS

**11B-206.2.1 Site arrival points.** At least one accessible route shall be provided within the site from accessible parking spaces and accessible passenger drop-off and loading zones; public streets and sidewalks...

**11B-206.4.10 Medical care and long-term care facilities.** Weather protection...may exceed twenty-four hours. The area of weather protection shall include the passenger drop-off and loading zone complying with Section 11B-209.3 and...

**11B-208.1 General.** Where parking spaces are provided...

**Exception:** Parking spaces used exclusively for buses, trucks, other delivery vehicles, or vehicular impound shall not be required to comply with Section 11B-208 provided that lots accessed by the public are provided with a passenger drop-off and loading zone complying with...

---

ITEM 11B.04.01 – RELATED ITEM

DIVISION 5: GENERAL SITE AND BUILDING ELEMENTS

**11B-503.5 Vertical clearance.** Vehicle pull-up spaces, access aisles serving them, and a vehicular route from an entrance to the passenger drop-off and loading zone and from the passenger drop-off and loading zone to a vehicular exit...

---

ITEM 11B.05

DIVISION 2: SCOPING REQUIREMENTS

**11B-233 Residential facilities**

**11B-233.3 Public housing facilities.** Public housing facilities...

**11B-233.3.1 Minimum number: new construction.** Newly constructed...

**11B-233.3.1.2 Residential dwelling units with mobility features.** In public housing...

**11B-233.3.1.2.4 Multi-story residential dwelling units in buildings with one or more elevators.** In elevator buildings, public housing facilities with multi-story residential dwelling units shall comply with the following:

1. The primary entry of the multi-story residential dwelling unit shall be on an accessible route on the floor served by the elevator. ~~In buildings with elevators the primary entry shall be on the floor served by the elevator.~~
2. At least one powder room or bathroom and kitchen shall be located on the primary entry level.

CA BUILDING STANDARDS  
COMMISSION

OCT 17 2017

APPROVED

3. Rooms or spaces located on the primary entry level shall be served by an accessible route and comply with Chapter 11A, Division IV – Dwelling Units features.

**Exception:** 11B-233.3.1.2.5 Multi-story residential dwelling units in buildings with no elevator. ~~In non-elevator buildings,~~ In non-elevator buildings in public housing facilities, a minimum of 10 percent but not less than one of the ground floor multi-story residential dwelling units shall ~~comply with Section 11B-233.3.1.2.4,~~ be calculated using the total number of multi-story residential dwelling units in buildings on a site and shall comply with the following:

1. The primary entry of the multi-story residential dwelling unit shall be on an accessible route.
2. At least one powder room or bathroom shall be located on the primary entry level.
3. Rooms or spaces located on the primary entry level shall be served by an accessible route and comply with Chapter 11A, Division IV – Dwelling Units features.

11B-233.3.1.2.5 11B-233.3.1.2.6 Public housing facility site impracticality.

---

ITEM 11B.06

DIVISION 2: SCOPING REQUIREMENTS

**11B-245 Public accommodations located in private residences ...**

**11B-245.3 Accessible elements required.** *The accessible portion of the residence extends to those elements used to enter the ~~commercial facility~~ public accommodation, including the front sidewalk, if any, the door or entryway, and hallways; and those portions of the residence, interior or exterior, available to or used by employees or visitors of the ~~commercial facility~~ public accommodation, including restrooms.*

---

ITEM 11B.07

DIVISION 3: BUILDING BLOCKS

**11B-306 Knee and Toe Clearance...**

**11B-306.2 Toe clearance ...**

**11B-306.2.3 Minimum required depth.** Where toe clearance is required at an element...

**Exceptions:...**

2. *The toe clearance shall extend 19 inches (483 mm) minimum under built-in dining and work surfaces required to be accessible by Section 11B-226.1.*

**11B-306.3 Knee clearance ...**

**11B-306.3.3 Minimum required depth.** Where knee clearance is required under an element...

**Exceptions:...**



2. At dining and work surfaces required to be accessible by Section 11B-226.1, knee clearance shall extend 19 inches (483 mm) deep minimum at 27 inches (686 mm) above the finish floor or ground.

ITEM 11B.08

DIVISION 4: ACCESSIBLE ROUTES

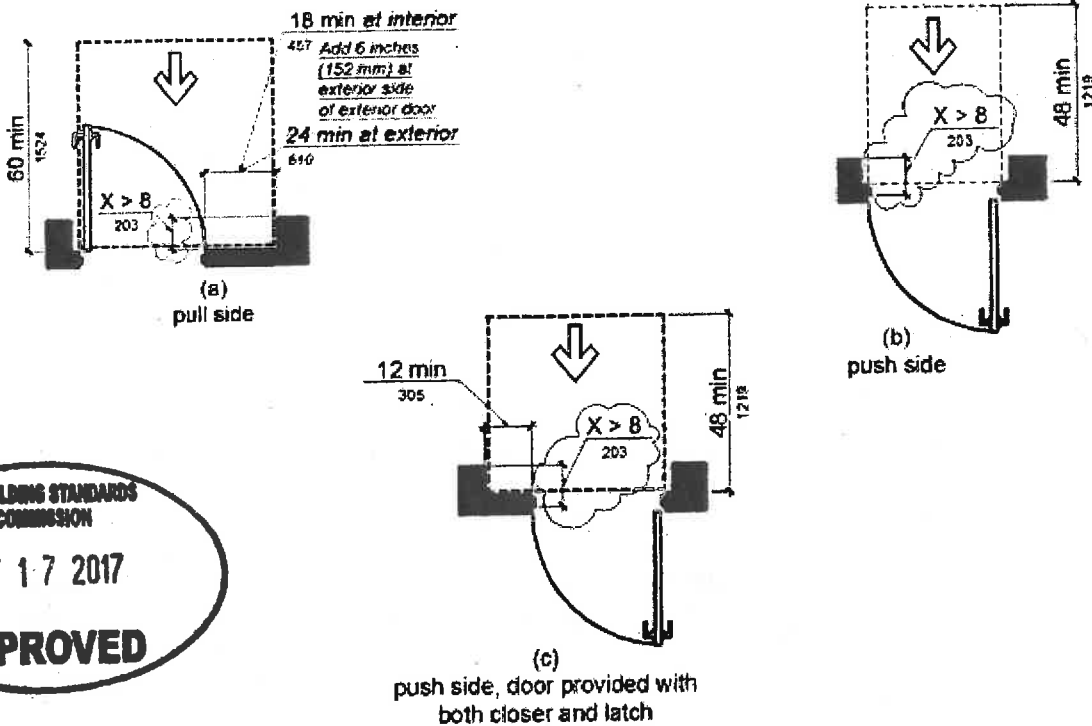


Figure 11B-404.2.4.3  
Maneuvering Clearances at Recessed Doors and Gates

ITEM 11B.09

DIVISION 6: PLUMBING ELEMENTS AND FACILITIES

11B-604 Water closets and toilet compartments...

**11B-604.7 Dispensers and disposal units.** Toilet paper dispensers and sanitary napkin disposal units shall comply with Section 11B-604.7. Combination accessory units are not permitted to encroach into the space required by Section 11B-609.3.

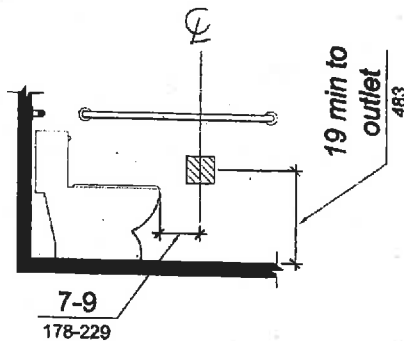
**11B-604.7.1 Dispensers.** Toilet paper dispensers shall comply with Section 11B-309.4 and shall be 7 inches (178 mm) minimum and 9 inches (229 mm) maximum in front of the water closet measured to the centerline of the dispenser. The outlet of the dispenser shall be below the grab bar, 19 inches (483 mm) minimum above the finish floor and shall not be located behind grab bars. Dispensers shall not be of a type that controls delivery or that does not allow continuous paper flow.

**11B-604.7.2 Disposal units.** *Sanitary napkin disposal units, if provided, shall comply with Section 11B-309.4 and shall be wall mounted and located on the sidewall between the rear wall of the toilet and the toilet paper dispenser, adjacent to the toilet paper dispenser. The disposal unit shall be located below the grab bar, with the opening of the disposal unit 19" minimum (483 mm) above the finish floor.*

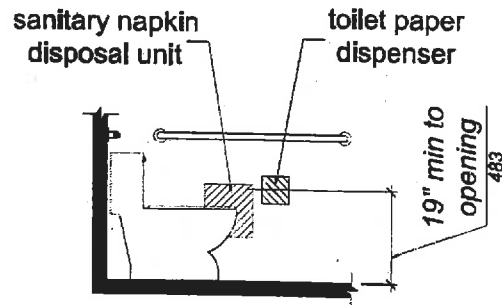
---

ITEM 11B.09.01 – RELATED ITEM

DIVISION 6: PLUMBING ELEMENTS AND FACILITIES



**FIGURE 11B-604.7.1**  
**DISPENSER OUTLET LOCATION**



**FIGURE 11B-604.7.2**  
**DISPOSAL UNIT LOCATION**

---

ITEM 11B.10

DIVISION 7: COMMUNICATION ELEMENTS AND FEATURES

11B-703 Signs...

11B-703.7 Symbols of accessibility...

11B-703.7.2 Symbols

**11B-703.7.2.1 International Symbol of Accessibility.** *The International Symbol of Accessibility shall comply with Figure 11B-703.7.2.1. The symbol shall consist of a white figure on a blue background. The color blue shall approximate FS 15090 in Federal Standard 595C. A border may be provided inside or outside of the minimum required International Symbol of Accessibility dimension.*

---

ITEM 11B.10.01 – RELATED ITEM

DIVISION 7: COMMUNICATION ELEMENTS AND FEATURES

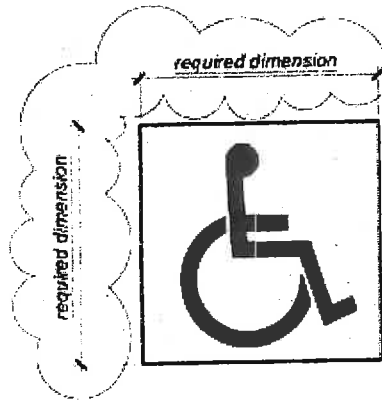


Figure 11B-703.7.2.1  
International Symbol of Accessibility

ITEM 11B.11

DIVISION 7: COMMUNICATION ELEMENTS AND FEATURES

11B-703 Signs...

11B-703.7 Symbols of accessibility...

11B-703.7.2 Symbols...

**11B-703.7.2.6 Toilet and bathing facilities geometric symbols.** Geometric symbols at entrances to toilet and bathing rooms...

**11B-703.7.2.6.1 Men's toilet and bathing facilities.** An equilateral triangle, A triangle symbol shall be located at entrances to men's toilet and bathing facilities. The triangle symbol shall be an equilateral triangle 1/4 inch (6.4 mm) thick with edges 12 inches (305 mm) long and a vertex pointing upward, shall be located at entrances to men's toilet and bathing facilities. The color of the triangle symbol shall contrast with the color of the door or surface on which the triangle symbol is mounted, either light on a dark background or dark on a light background.

**Exception:** Within secure perimeter...

**11B-703.7.2.6.2 Women's toilet and bathing facilities.** A circle symbol shall be located at entrances to woman's toilet and bathing facilities. The circle symbol shall be A circle, 1/4 inch (6.4 mm) thick and 12 inches (305 mm) in diameter, shall be located at entrances to women's toilet and bathing facilities. The color of the circle symbol shall contrast with the color of the door or surface on which the circle symbol is mounted, either light on a dark background or dark on a light background.

**Exception:** Within secure perimeter...

**11B-703.7.2.6.3 Unisex toilet and bathing facilities.** A circle, 1/4 inch (6.4 mm) thick and 12 inches (305 mm) in diameter with a 1/4 inch (6.4 mm) thick triangle with a vertex pointing upward, superimposed on and geometrically inscribed within the circle and within the 12-inch (305 mm) diameter, shall be provided at entrances to unisex toilet and bathing facilities. The vertices of the triangle shall be located 1/4 inch (6.4 mm) maximum from the edge of the



circle. The triangle symbol shall contrast with the circle symbol, either light on a dark background or dark on a light background. The circle symbol shall contrast with the door, either light on a dark background or dark on a light background. A combined circle and triangle symbol shall be located at entrances to unisex toilet and bathing facilities. The combined circle and triangle symbol shall consist of a circle symbol 1/4 inch (6.4 mm) thick and 12 inches (305 mm) in diameter with a 1/4 inch (6.4 mm) thick equilateral triangle symbol superimposed on and geometrically inscribed within the 12-inch (305 mm) diameter of the circle symbol. The vertices of the triangle symbol shall be located 1/4 inch (6.4 mm) maximum from the edge of the circle symbol with a vertex pointing upward. The color of the triangle symbol shall contrast with the color of the circle symbol, either light on a dark background or dark on a light background. The color of the circle symbol shall contrast with the color of the door or surface on which the combined circle and triangle symbol is mounted, either light on a dark background or dark on a light background.

ITEM 11B.12

DIVISION 7: COMMUNICATION ELEMENTS AND FEATURES

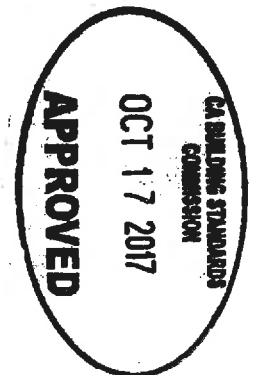
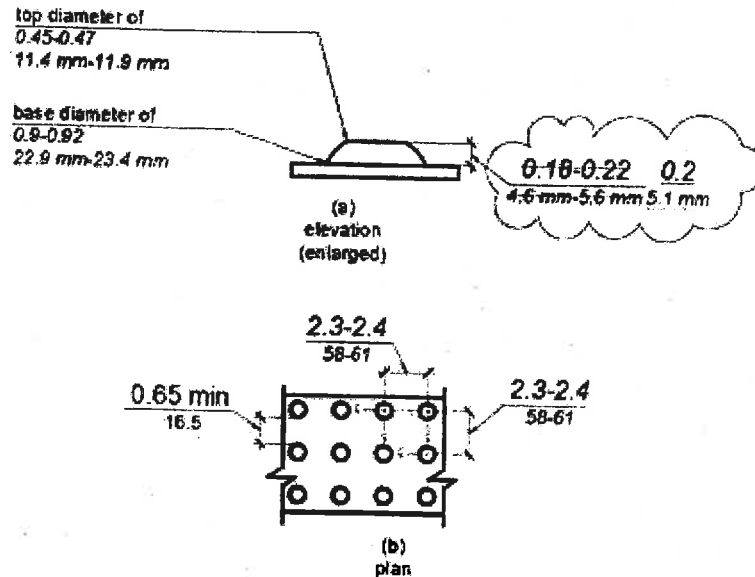


Figure 11B-705.1  
Size and Spacing of Truncated Domes

ITEM 11B.13

DIVISION 8: SPECIAL ROOMS, SPACES, AND ELEMENTS

11B-812 Electric vehicle charging stations...

11B-812.5 Accessible routes...

11B-812.5.2 Accessible route to EV charger. An accessible route complying with Section 11B-402 shall be provided between connect the vehicle space and the EV charger which serves it.

ITEM 11B.14

DIVISION 8: SPECIAL ROOMS, SPACES, AND ELEMENTS

*11B-812 Electric vehicle charging stations...*

*11B-812.8 Identification signs...*

*11B-812.8.1 Four or fewer. Where four or fewer total EVCS are provided, identification with an International Symbol of Accessibility (ISA) and signs identifying van accessible spaces shall not be required.*

---

Notation

Authority: Government Code Section 4450.

Reference(s): Government Code Sections 4450 through 4461, 12955.1(c) and 14679; Health and Safety Code Sections 18949.1, 19952 through 19959; and Vehicle Code Section 22511.8.

